



DESCRIPTION:

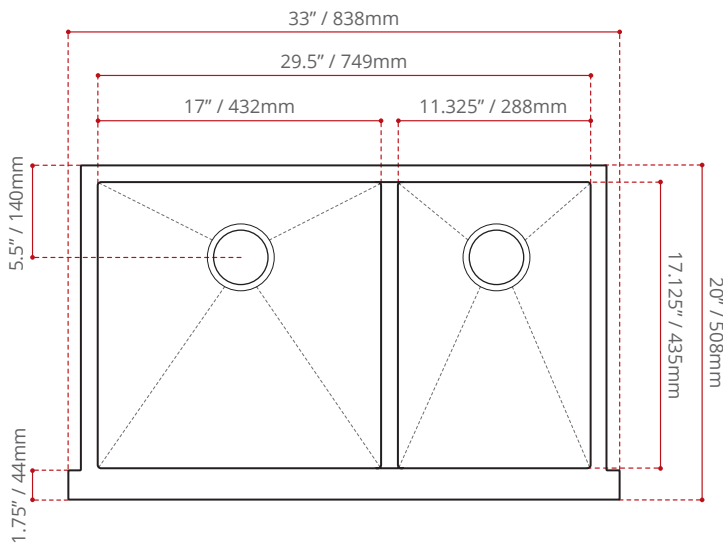
- Double bowl 10° radius, low-divide kitchen sink
- Left bowl is bigger than right bowl
- Undermount install with flat apron front
- Handcrafted from T-304 brushed stainless steel
- Durable commercial-grade 16 gauge thickness
- C/W basket strainer included

MINIMUM CABINET SIZE:

36" / 914mm

SHIPPING INFORMATION:

- Length: 35.25" / 895mm
- Net Weight: 15 kg / 33 lbs.
- Width: 23" / 584mm
- Gross Weight: 17.5 kg / 38.5lbs.
- Height: 12.875" / 327mm



DISCLAIMER:
Measurements may vary ± 1/4"
(Diagram Not to scale)